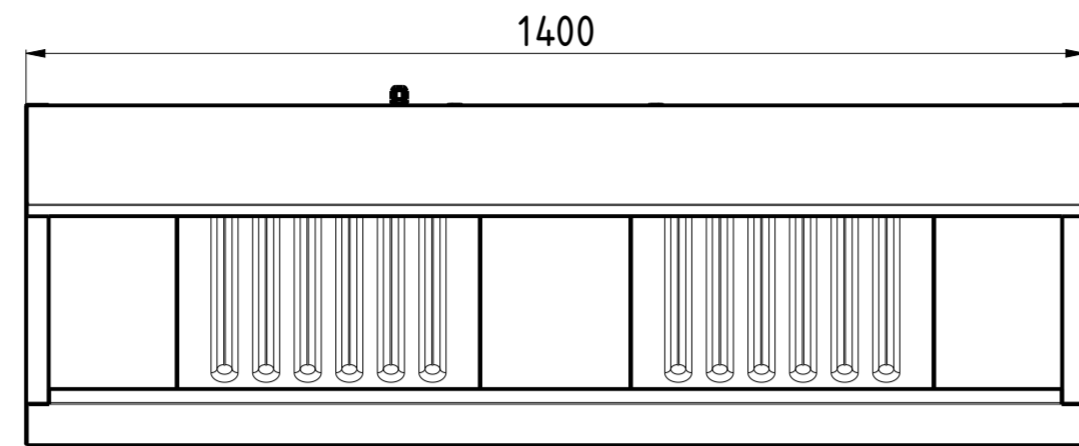
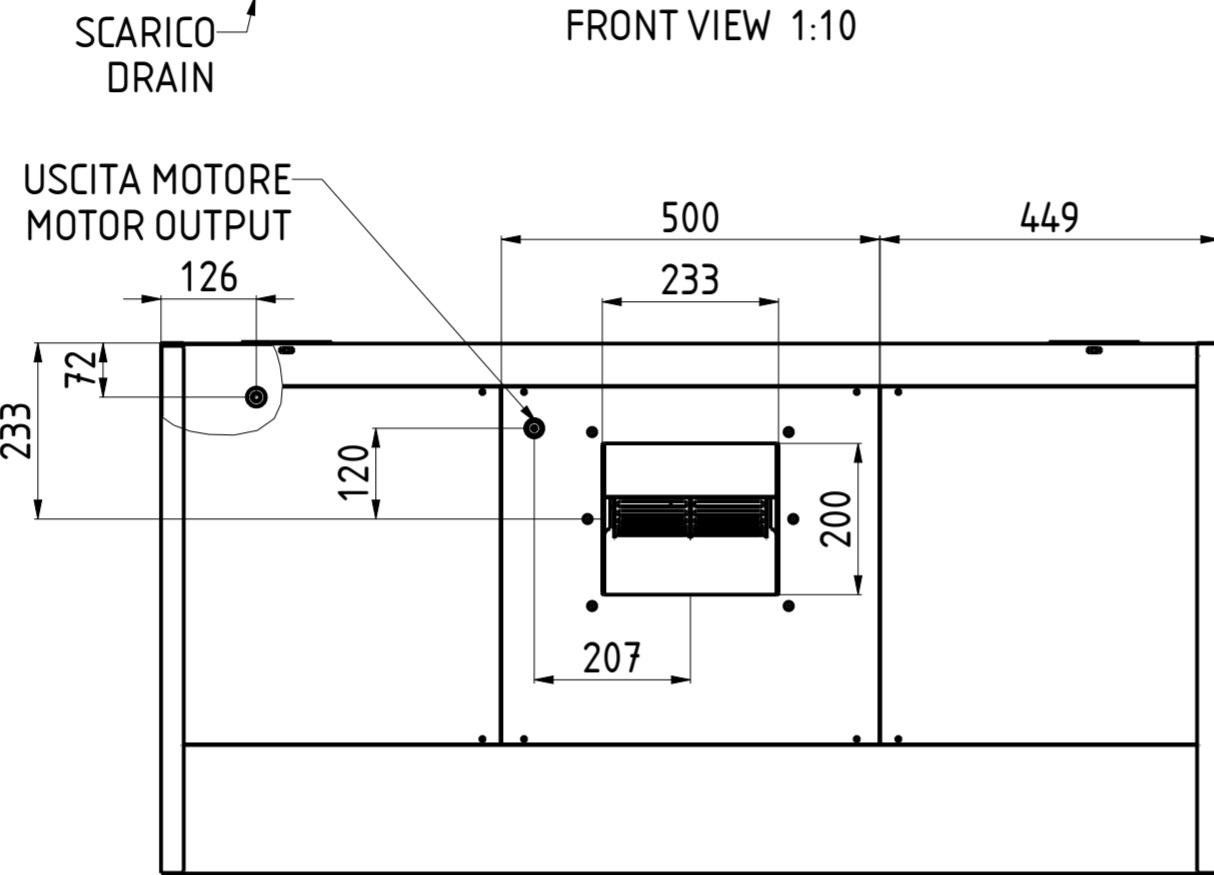


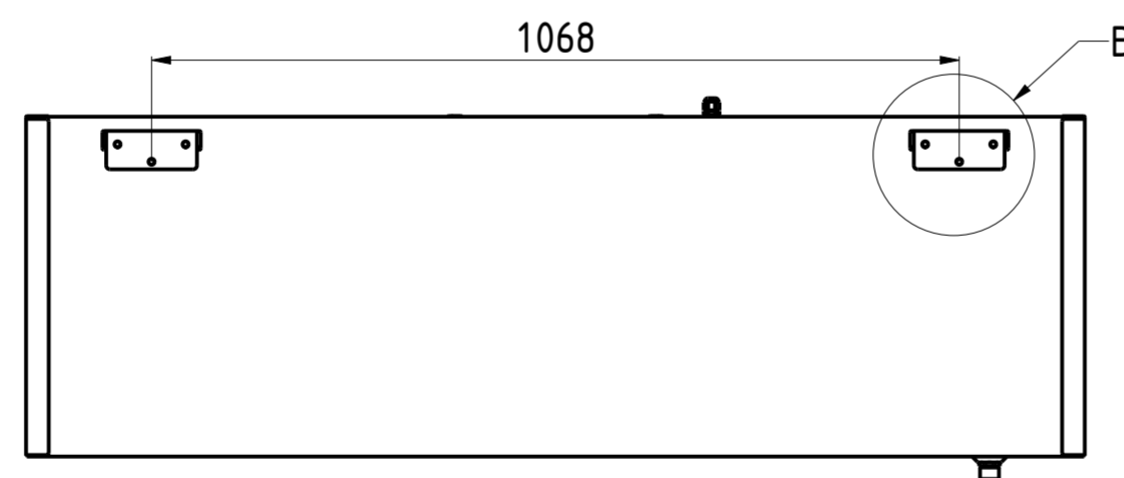
# CHSN07L140M



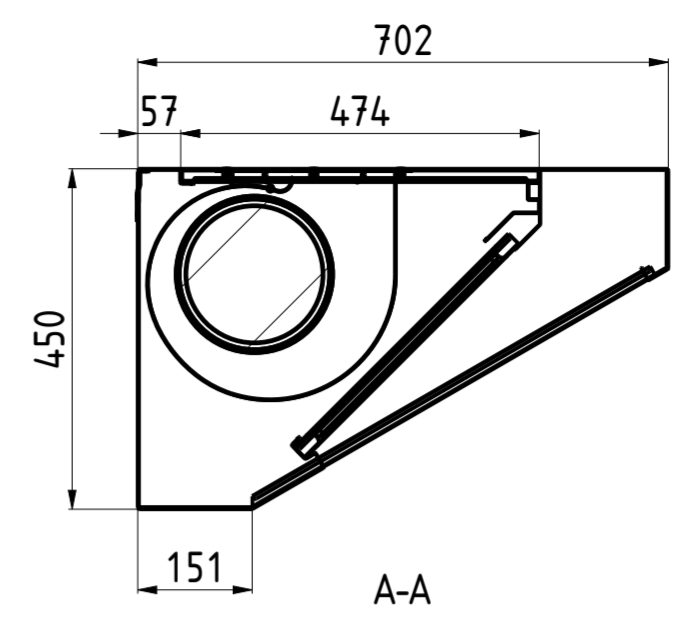
FRONT VIEW 1:10



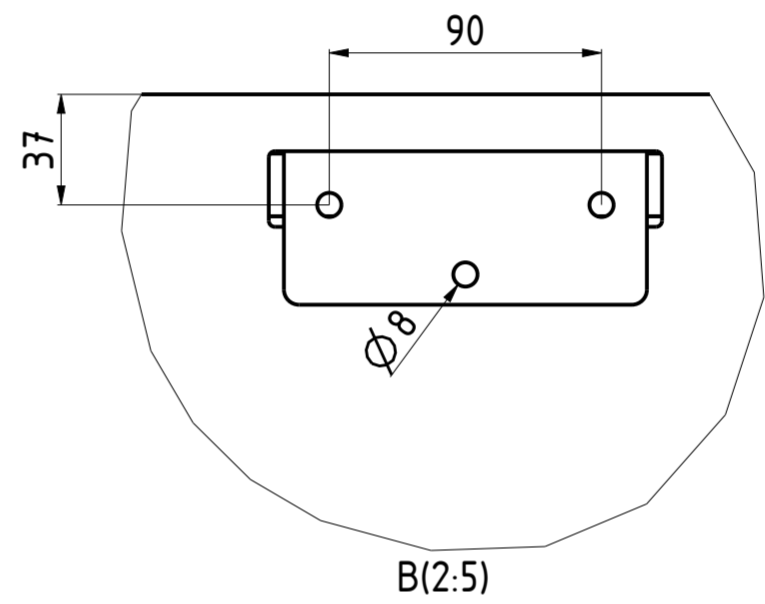
B-B



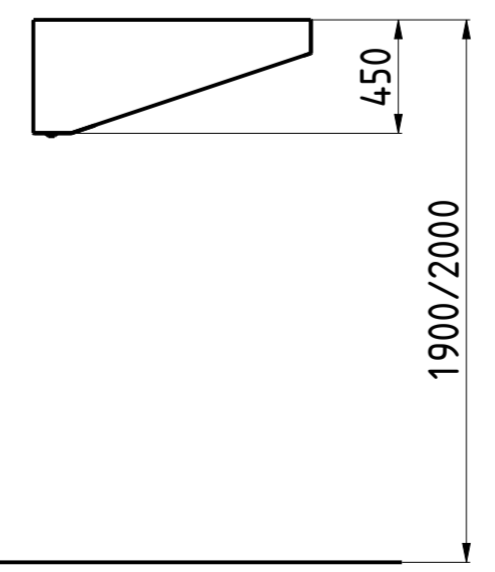
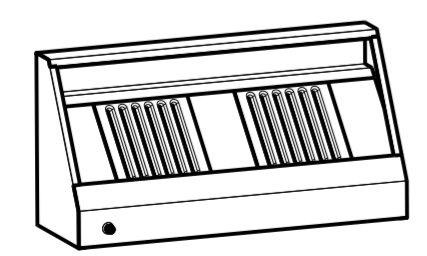
BACK VIEW 1:10



A-A



B(2:5)



NR. LUCI NR. LIGHTS	PORTATA FLOW RATE	HST mmH <sub>2</sub> O	WATT	SDR	PESO (Kg) WEIGHT (Kg)
—	1230	23	147	7/7	58

DATA DATE	MODIF. N. MODIF. NO.	DESCRIZIONE MODIFICHE MODIFICATION DESCRIPTION	DISEGNATO DRAWN BY	APPROVATO APPROVED
MODELLO CAPP A SNACK CON MOTORE 7/14 MODEL SNACK HOOD WITH MOTOR 7/14			SCALA SCALE	-
PARTICOLARE SCHEDA TECNICA DETAIL DATA SHEET			DATA DATE	-
MATERIALE MATERIAL	AISI 304 - AISI 430	SPES. THICK.	SHEET 2 OF 3	
FINITURA FINISH		PEZZI N. PIECES NO.	ULTIMA EMISS. LAST EDITION	
TRATTAMENTO TREATMENT		COLORE COLOUR		

mm

FORM.A-2

ELABORATO CON SISTEMA CAD  
 DESIGNED BY CAD/STEM  
 QUOTA PRIMARIA  
 PRIMARY DIMENSION  
 XX  
 ANGOLI  
 Angles  
 ±0.30°  
 TOLLERANZA UNLESS OTHERWISE STATED  
 QUOTE SENZA TOLLERANZA  
 TOLERANCE UNLESS OTHERWISE STATED  
 >500 ±0.75  
 400-500 ±0.65  
 315-400 ±0.60  
 250-315 ±0.55  
 180-250 ±0.50  
 120-180 ±0.45  
 80-120 ±0.40  
 50-80 ±0.35  
 30-50 ±0.30  
 18-30 ±0.25  
 10-18 ±0.20  
 5-10 ±0.15  
 0-5 ±0.10  
 LUNGH. E DIAM.  
 LENGTH AND DIAM.  
 ±0.10